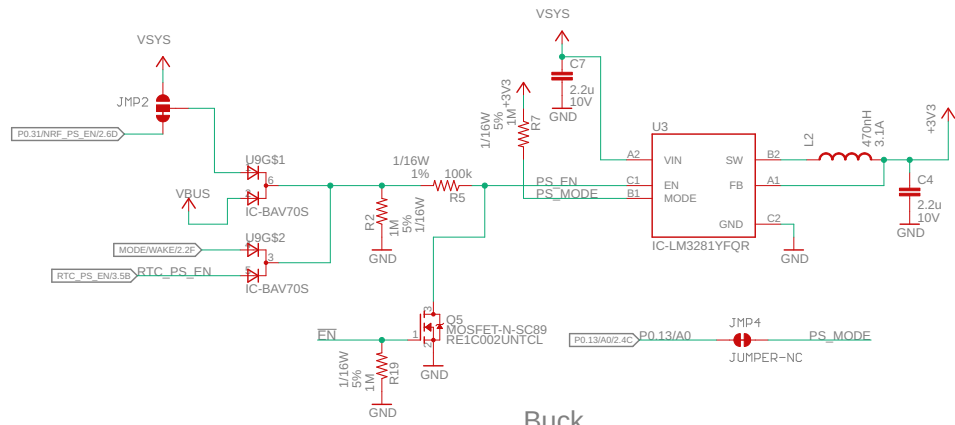
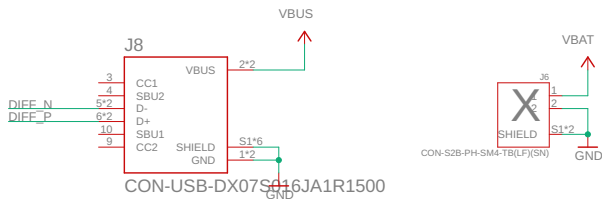


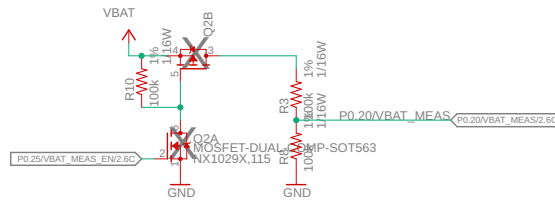
TODO:
 * Larger caps
 * Test LDO for LNA



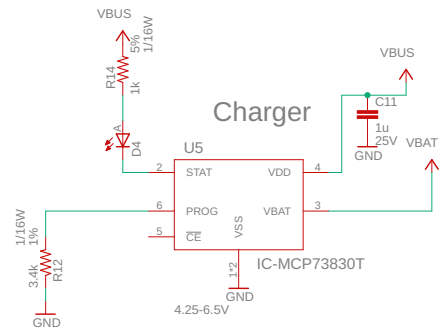
Buck



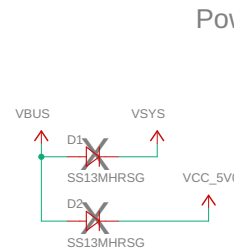
Power Connectors



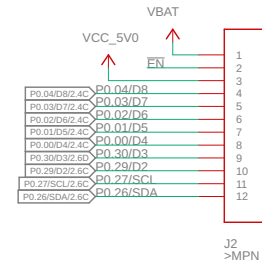
Battery Measurement



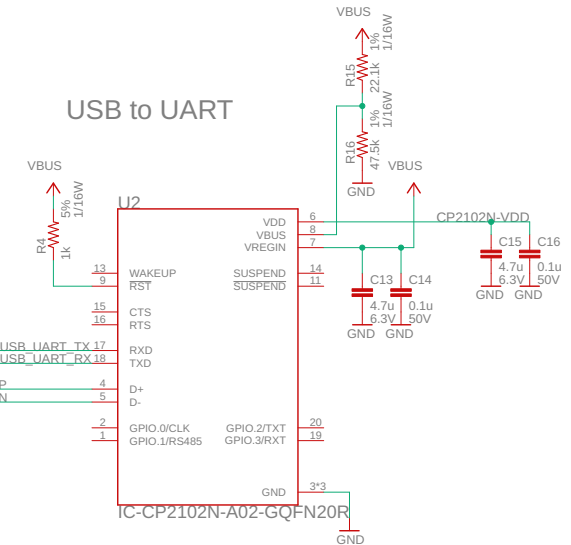
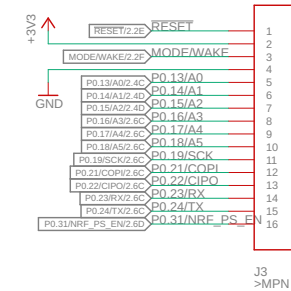
Charger



Power Routing



Headers



USB to UART

- ASSEMBLY1
- SOLDER1
- PCB1

Some footprints provided by SnapEDA and Ultra Librarian
 Some schematic symbols from Sparkfun



Company: Circuit Dojo Author: Jared Wolff

Title: nRF91 Feather

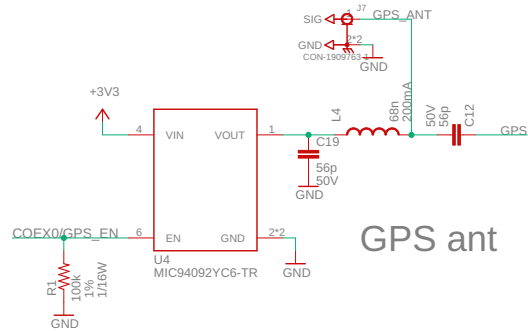
Document Number: SCH-0015

Board Number: BRD-0015

Date: 1/28/22 3:38 PM

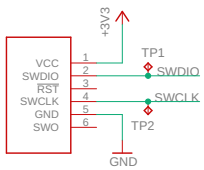
REV: 2

Sheet: 1/3

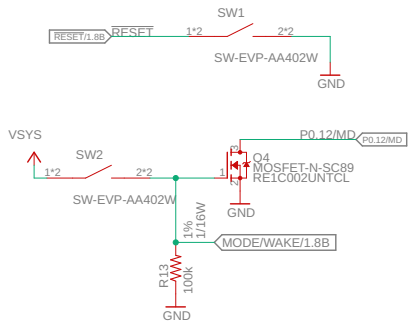


GPS ant

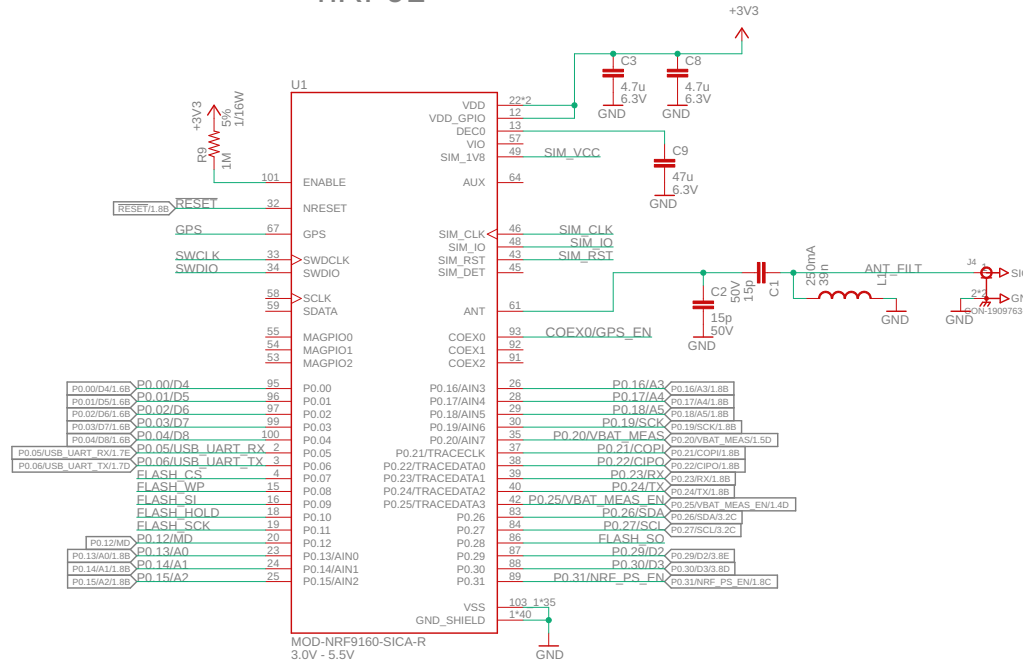
SWD



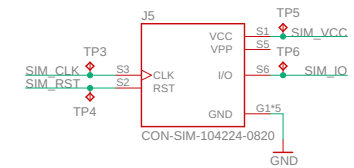
Buttons



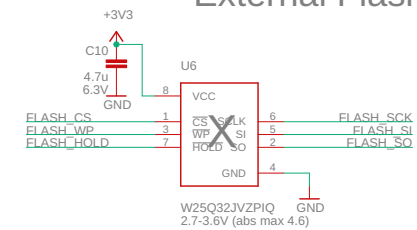
nRF91



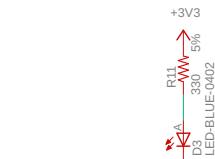
Nano SIM



External Flash



D7 Blue LED



Some footprints provided by SnapEDA
Some schematic symbols from Sparkfun



Company: Circuit Dojo Author: Jared Wolff

Title: nRF91 Feather

Document Number: SCH-0015

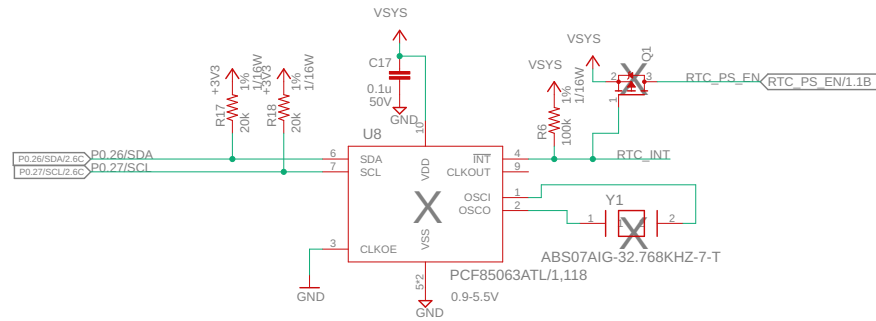
REV: 2

Board Number: BRD-0015

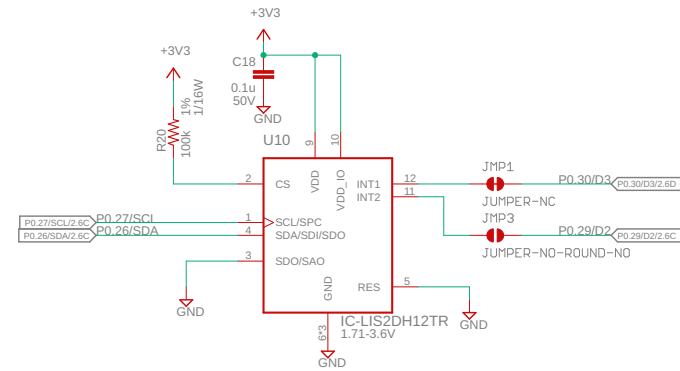
Date: 1/28/22 3:38 PM

Sheet: 2/3

Real Time Clock



Accelerometer



Some footprints provided by SnapEDA
Some schematic symbols from Sparkfun



Company: Circuit Dojo Author: Jared Wolff

Title: nRF91 Feather

Document Number: SCH-0015

REV:

Board Number: BRD-0015

2

Date: 1/28/22 3:38 PM

Sheet: 3/3